

www.kuttatech.com

KUTTA
Technologies for earth and air

Rugged Systems

UGCS / KRC

4586 Interoperability and
Open Architecture Redefined...

The UGCS Handheld Controller and Kutta Rugged Computer (KRC) are designed to provide embedded computing support for challenging applications, including: Unmanned Aerial Systems (UAS), manned aircraft, rugged ground vehicles, industrial environments and dismounted soldiers.



MIL-STD-810

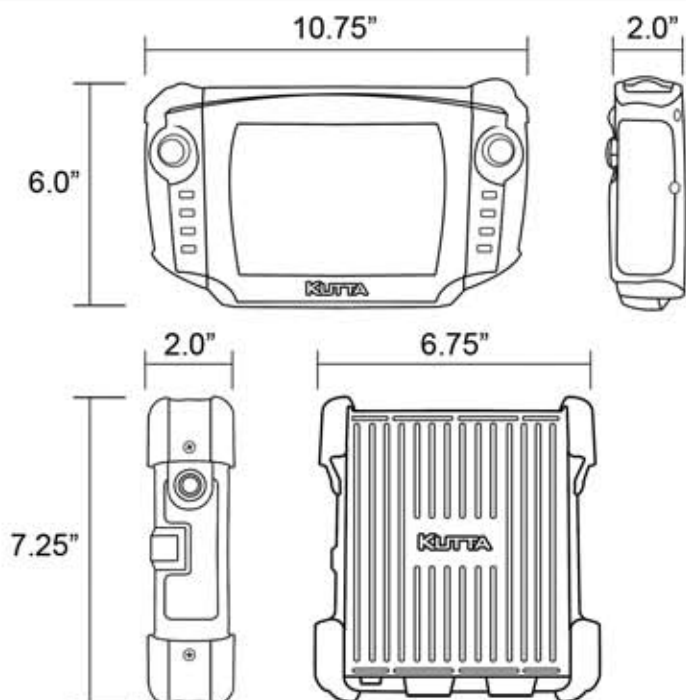


RTCA
DO-178C

Watch Video of
the Common
Control System



UNIFIED GROUND CONTROL STATION - UGCS



UGCS-400
1024 x 768 Resolution
Supports 720 HD Video



KRC-100

Handheld Controller

- 6.5" Sunlight Readable Touchscreen – 1000 nit
- Low-Light Night Vision (NVIS) Controls
- 1024 x 768 Resolution (Supports 720 HD)
- Redundant Hall Effect Joysticks
- Watertight Pushbutton and Trim Switches
- Unit Weight: 2.5 lbs

Power

- 2557 Battery - Lithium-Ion (4 Hours of operation*)
- 2590 Battery - Lithium-Ion (8 Hours of operation*)
- External Line Power Configurable
- *Hot-Swappable - Internal Hold-Over Battery (5 mins)

MIL-STD-810 & MIL-STD-461

- High Temperature: +49C / +120F
- Low Temperature: -31C / -23F
- Altitude: 15,000 ft
- Decompression: 8,000 to 15,000 ft in 15 sec
- Rain: 15 Minutes
- Freeze / Thaw: 3 Cycles
- Temperature Shock: +49C / +120F to -31C to -23F
- Humidity: 10 Days
- Salt / Fog: 96 Hours
- Fluid Susceptibility: Jet Fuel - JP-8
- Dust & Sand: 90 Minutes
- Vibration - Performance: Method 514.6C-5 – Category 12
- Vibration - Operational: Method 514.6C-5 – Category 7
- Loose Cargo Vibration: Method 514.6 – Procedure II
- Radiated Emissions: Pass
- Radiated Susceptibility: Pass

Kutta Rugged Computer - Fanless Options:

- Intel® Core™ i7-4650U (2x1.70GHz, GT3)
- Intel® Core™ i5-4300U (2x1.90GHz, GT2)
- Intel® Core™ i3-4010U (2x1.70GHz, GT2)
- 512 GB of Solid State Hard Drive
- 16 GB of energy-efficient DDR3L RAM
- Max Power Draw of 17W
- Wide-Range (8.5 - 20V) Power Supply
- Intel® Graphics Controller Chipset
- GPS Receiver (L1) - High Sensitivity Navigation Engine
- Designed to MIL-STD-810 & MIL-STD-461
- OS: Windows® 8, Windows® 7, WE8S, WES7, Linux, VxWorks
- Modular Lightweight Load-carrying Equipment (MOLLE)
- VESA Mounting Interface Standard (MIS)
75x75mm & 100x100mm
- Unit Weight: 2.5 lbs

Input / Output

- 1x USB 3.0
- LAN / Ethernet - 10/100/1000 Mbit
- HDMI
- Display Port
- Serial
- 3x USB 2.0
- Audio Intel® High Definition Audio
- Audio In
- Mic In
- Audio Out